



General:	Assembled by A&I Manufacturing, Inc. Environmentally safe.
Curved Vanes:	3.50" ± 1/16 louver width; 0.024" ± 0.002" louver thickness, PVC.
Traversing:	Blinds shall traverse on self-lubricating wheels to reduce draw force. Blinds shall traverse by means of a wand control.
Valance (Optional):	Standard, with dust Cover, Executive, 5" returns for outside mount, 3" returns for inside mount.
Tilt rod:	Extruded aluminum, 4 prong with diameter of 0.235".
Rotation:	Wand control provides 180° rotation to each vane stem simultaneously through a gear system in the control housing by turning tilt rod actuating a plastic worm and spur gear assembly in each vane carrier. System shall keep louvers fixed until reset by controls.
Head Rail:	Headrail channel shall be of anodized aluminum alloy 1 3/4" wide x 1 1/4" high x .040" minimum wall thickness. The headrail will extend the width of the blind. The channel is available in baked enamel white.
End Controls:	Each headrail channel shall be equipped with end control housings made of high quality plastic. End controls shall be covered to enclose sprockets and rotation rod ends.
Carriers:	Each carrier is made of high quality plastic made by DuPont or equivalent. It features an independent self-aligning clutch mechanism in each louver carrier, allowing less friction for self alignment. The shaft walls of the carrier are made of reinforced plastic for strength. The vane stem is made of clear plastic and shall be centered, allowing the track to be reversible. Louvers shall rotate 180° by a 4 prong pinion rod.
Spacing:	Heavy duty self-lubricating plastic link system. Normal spacing is a minimum of 3/8" less than louver width.
Installation Brackets:	Inside or outside snap-in brackets. Intermediate brackets spaced no wider than 36" apart.
Sizes:	Outside mounted window coverings will be made to exact ordered measurements. Inside mounted window coverings will have 1/2" deducted at the factory from width. <i>See Product Limits.</i>

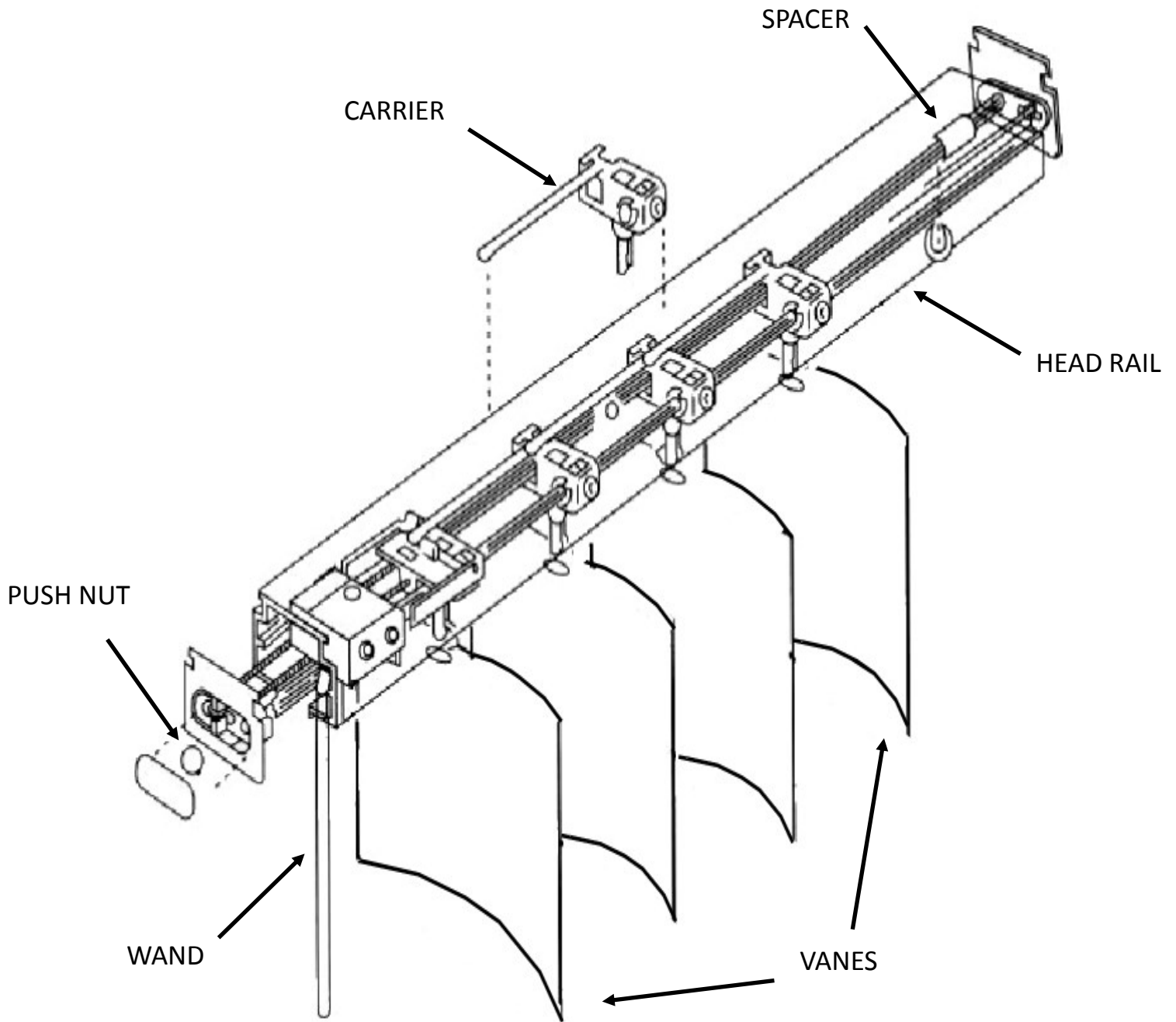
Product Limits

Controls (Manual)	Min. Width	Max. Width	Min. Drop	Max. Drop
One Way Stack Left, One Way Stack Right, Center Open	12"	120"	10"	*144"

Maximum Sq. Footage *120 Sq. Ft. Under Warranty

* Exceptions Available Upon Request

	WARNING		ADVERTENCIA
	Cords on window covering products present a potential strangulation hazard.		Las cuerdas y cadenas y persianas presentan un peligro de estrangulación.
	For child safety, consider cordless alternatives or products with inaccessible cords.		Para la seguridad de los niños, considere alternativas sin cuerdas o productos con cuerdas y cadenas inaccesibles.
<small>SAFLAB-3 04/2013</small>	<small>ANSI/WCMA 5.1.4</small>	<small>SAFLAB-3 04/2013</small>	<small>ANSI/WCMA 5.1.4</small>





Commercial Contract Color Options:

Check One:

- V4901 White
- V4902 Off White
- V4903 Ivory