



General:	Assembled by A&I Manufacturing, Inc. Environmentally safe.
Operation:	Bead chain through manual clutch mechanism.
Clutch:	Bead chain driven assisted by a stainless steel spring and spring shim. Clutch housing made from POM.
Chain:	Plastic, nickel plated steel, stainless steel.
Idle End:	Made from glass fiber reinforced PA6.
Tube:	1 1/2", 1 3/4" hollow extruded aluminum(6063-T5) tube.
Square Fascia:	Square front, 3 3/4"x 1 9/16" extruded aluminum(6063-T5). Colors: White, Bronze, Alabaster, Anodized, Black.
Back Fascia:	Square front and back, 3 3/4"x1/2" extruded aluminum(6063-T5). Colors: White, Bronze, Alabaster, Anodized, Black. Optional
Ceiling Mount Bracket:	2 3/4" x 3 11/16" x 1 1/8", Zinc plated, cold rolled steel ASTM A1008.
Wall Mount Bracket:	3 1/32" x 3 7/32" x 1 1/8", Zinc plated, cold rolled steel ASTM A1008.
Spring Assist:	Spring Assembly to assist in raising and lowering of heavy roller shades, used at manufacturers discretion. Mount on the clutch inside the tube. Made of PBT with Glass Fiber and Spring Steel
Fascia End Cap:	ABS, square. Colors: White, Bronze, Alabaster, Anodized, Black.
Internal Hembar:	1/8"x1" extruded aluminum 6063-T5 flat stock.
External Hembar:	1 3/6"x9/16" rectangle, 1 1/2"x3/8" rectangle extruded aluminum 6063-T5. Colors: White, Bronze, Alabaster, Anodized, Black. Available at additional cost.
Fabric:	B/O, 1%, 3%, 5%, 8%, 10%, Translucent openness in various colors.
P-Clip Safety Tensioner:	Clear Poly-Carbonite. Shall comply with all safety requirements.
Sizes:	Outside mounted roller shades will be made to exact ordered measurements. Inside mounted roller shades will have 1/8" deducted at the factory from finished width. See Product Limits.

Product Limits

Controls (Manual)	Min. Width	Max. Width	Min. Drop	Max. Drop
Clutch Left or Right	18"	156"	18"	240"
Clutch Left or Right Spring Assist	36"	156"	18"	240"

WARNING **ADVERTENCIA**

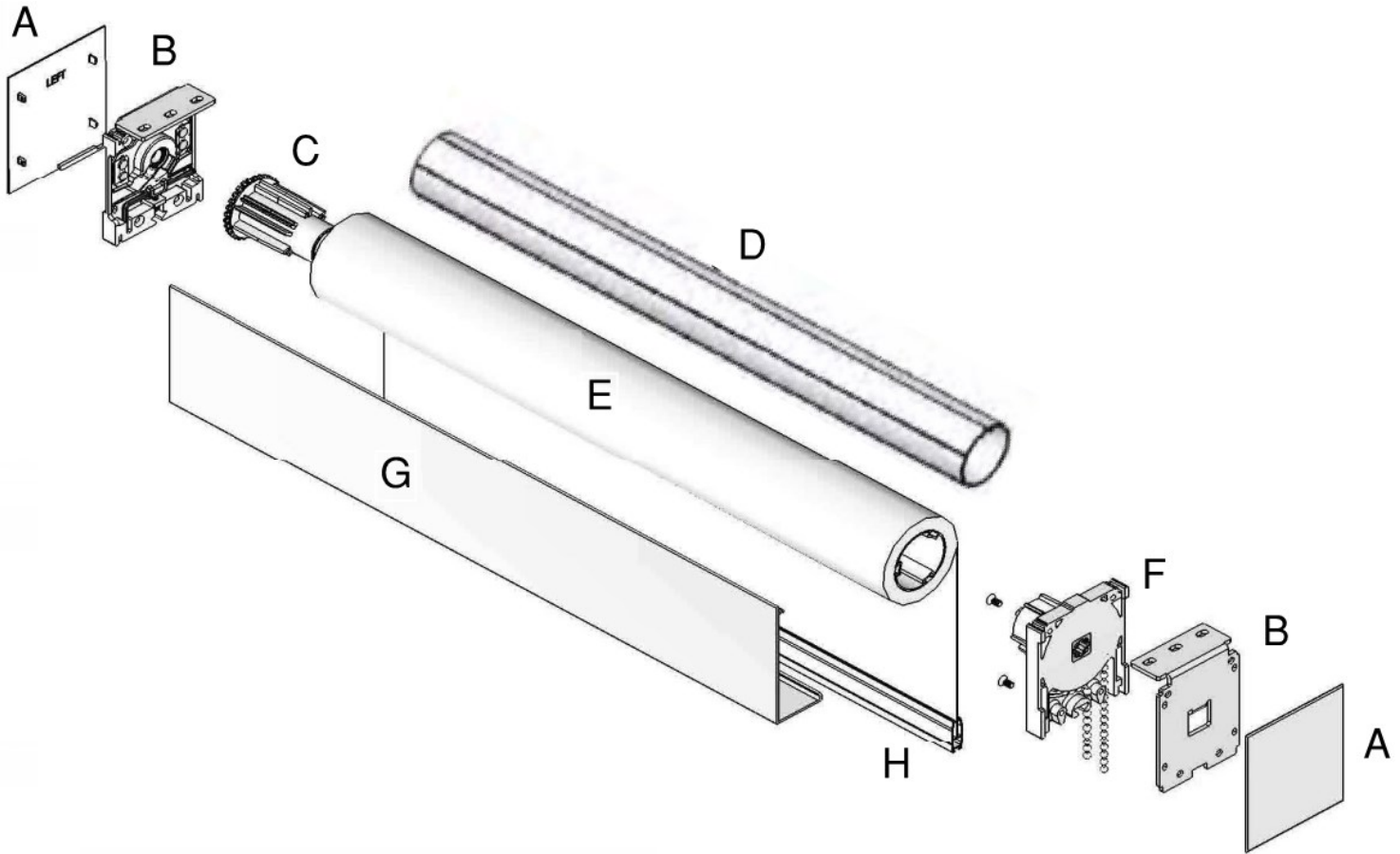
Cords on window covering products present a potential strangulation hazard.

For child safety, consider cordless alternatives or products with inaccessible cords.

Las cuerdas y cadenas y persianas presentan un peligro de estrangulación.

Para la seguridad de los niños, considere alternativas sin cuerdas o productos con cuerdas y cadenas inaccesibles.

SAFLAB-3 04/2013 ANSI/WCMA 5.1.4 SAFLAB-3 04/2013 ANSI/WCMA 5.1.4



- A: Bracket Fascia End Cap
- B: Bracket Set
- C: Idle End
- D: Tube
- E: Fabric
- F: Clutch
- G: Square Fascia
- H: External Hem Bar