



<b>General:</b>	Assembled by A&I Manufacturing, Inc. <b>Environmentally safe.</b>
<b>Operation:</b>	Bead chain through manual clutch mechanism.
<b>Clutch:</b>	Bead chain driven assisted by a stainless steel spring and spring shim. Clutch housing made from PA6.
<b>Chain:</b>	Plastic, nickel plated steel, stainless steel.
<b>Idle End:</b>	Made from glass fiber reinforced PA6.
<b>Tube:</b>	1 1/2" hollow extruded aluminum(6063-T5) tube.
<b>Square Fascia:</b>	Square front, 3"x 2 1/4" extruded aluminum(6063-T5). Colors: White, Bronze, Alabaster, Anodized, Black.
<b>Round Fascia:</b>	Round front, 3"x2 7/8" extruded aluminum(6063-T5). Colors: White, Bronze, Alabaster, Anodized, Black.
<b>Fascia End Cap:</b>	ABS, round or square. Colors: White, Bronze, Alabaster, Anodized, Black.
<b>Brackets:</b>	5 1/2" x 2 3/4", cold rolled steel ASTM A1008. Wall or ceiling mount. Colors: White, Bronze, Alabaster, Anodized, Black.
<b>Internal Hembar:</b>	1/8"x1" extruded aluminum 6063-T5 flat stock.
<b>External Hembar:</b>	1 3/6"x 9/16" rectangle, 1 1/2"x3/8" rectangle extruded aluminum 6063-T5. Colors: White, Bronze, Alabaster, Anodized, Black. Available at extra cost.
<b>Fabric:</b>	B/O, 1%, 3%, 5%, 8%, 10%, Translucent openness in various colors.
<b>P-Clip Safety Tensioner:</b>	Clear Poly-Carbonite. Shall comply with all safety requirements.
<b>Sizes:</b>	Outside mounted roller shades will be made to exact ordered measurements. Inside mounted roller shades will have 1/8" deducted at the factory from finished width. See Product Limits.

### Product Limits

Controls (Manual)	Min. Width	Max. Width	Min. Drop	Max. Drop
Clutch Left or Right	18"	156"	18"	240"
Clutch Left or Right Spring Assist	36"	156"	18"	240"

**WARNING** **ADVERTENCIA**



Cords on window covering products present a potential strangulation hazard.



Las cuerdas y cadenas y persianas presentan un peligro de estrangulación.



For child safety, consider cordless alternatives or products with inaccessible cords.



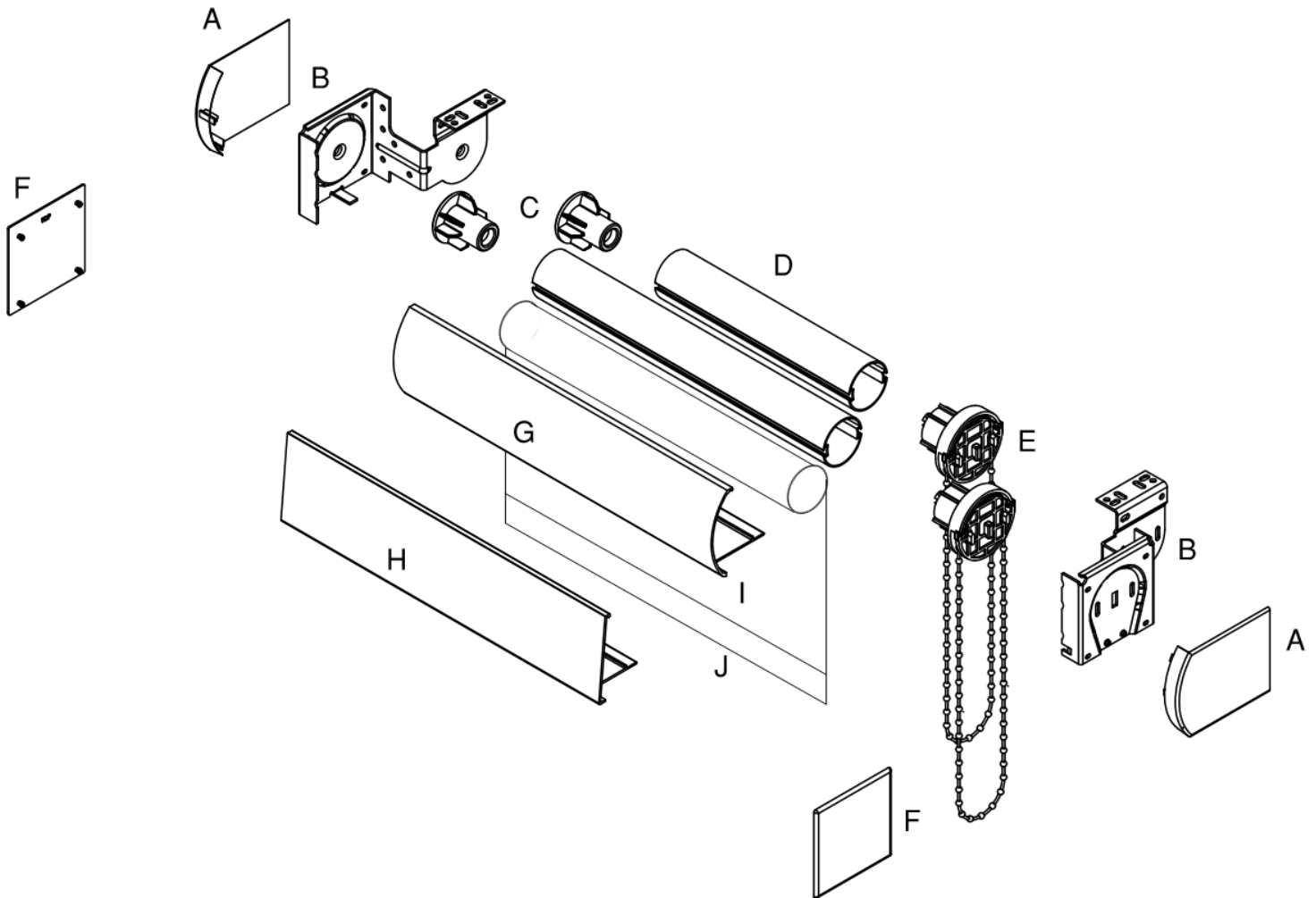
Para la seguridad de los niños, considere alternativas sin cuerdas o productos con cuerdas y cadenas inaccesibles.

SAFLAB-3 04/2013

ANSI/WCMA 5.1.4

SAFLAB-3 04/2013

ANSI/WCMA 5.1.4



- A: Curved Fascia End Cap
- B: Brackets
- C: Idle Ends
- D: Tubes
- E: Clutches
- F: Square Fascia End Caps
- G: Curved Fascia
- H: Square Fascia
- I: Fabric
- J: Enclosed Hembar