



General:	Assembled by A&I Manufacturing, Inc. Environmentally safe.
Operation:	Bead chain through manual clutch mechanism.
Clutch:	Bead chain driven assisted by a stainless steel spring and spring shim. Clutch housing made from PA6.
Idle End:	Made from glass fiber reinforced PA6.
Tube:	1 1/2", 1 3/4" hollow extruded aluminum(6063-T5) tube.
Square Fascia:	Square front, 4"x 2 3/4" extruded aluminum(6063-T5). Colors to match brackets and end caps.
Round Fascia:	Round front, 4"x 3 11/32" extruded aluminum(6063-T5). Colors to match brackets and end caps.
Idle End Insert Plate:	5" x 3" , cold rolled steel ASTM A1008. Wall or ceiling mount. Colors: White, Bronze, Alabaster, Anodized, Black.
Clutch Insert Plate:	5" x 3" , cold rolled steel ASTM A1008. Wall or ceiling mount. Colors: White, Bronze, Alabaster, Anodized, Black.
Brackets:	5 7/8" x 4 1/8" , cold rolled steel ASTM A1008. Wall or ceiling mount. Colors: White, Bronze, Alabaster, Anodized, Black.
Internal Hembar:	1/8"x1" extruded aluminum 6063-T5 flat stock.
External Hembar:	1 3/6"x 9/16" rectangle, 1 1/2"x3/8" rectangle extruded aluminum 6063-T5. Colors: White, Bronze, Alabaster, Anodized, Black. Available at extra cost.
Fabric:	B/O, 1%, 3%, 5%, 8%, 10%, Translucent openness in various colors.
P-Clip Safety Tensioner:	Clear Poly-Carbonite. Shall comply with all safety requirements.
Sizes:	Outside mounted roller shades will be made to exact ordered measurements. Inside mounted roller shades will have 1/8" deducted at the factory from finished width. See Product Limits.

Product Limits

Controls (Manual)	Min. Width	Max. Width	Min. Drop	Max. Drop
Clutch Left or Right	18"	156"	18"	240"
Clutch Left or Right Spring Assist	36"	156"	18"	240"

⚠ WARNING ⚠ ADVERTENCIA



Cords on window covering products present a potential strangulation hazard.



Las cuerdas y cadenas y persianas presentan un peligro de estrangulación.



For child safety, consider cordless alternatives or products with inaccessible cords.



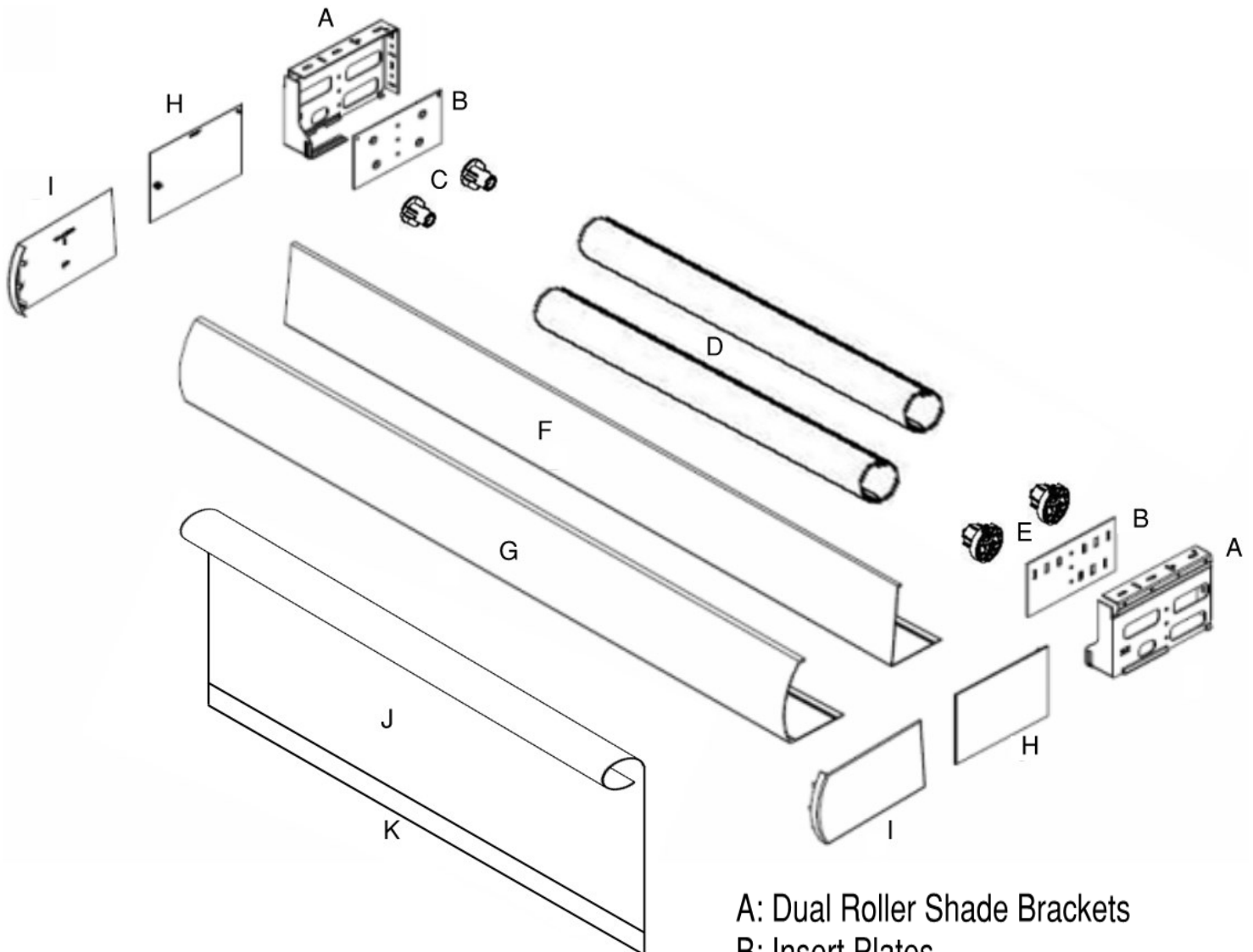
Para la seguridad de los niños, considere alternativas sin cuerdas o productos con cuerdas y cadenas inaccesibles.

SAFLAB-3 04/2013

ANSI/WCMA 5.1.4

SAFLAB-3 04/2013

ANSI/WCMA 5.1.4



- A: Dual Roller Shade Brackets
- B: Insert Plates
- C: Idle Ends
- D: Tubes
- E: Clutches
- F: Square Fascia
- G: Round Fascia
- H: Square Fascia Bracket End Caps
- I: Round Fascia Bracket End Caps
- J: Fabric
- K: Enclosed Hembar