



|                               |  |
|-------------------------------|--|
| <b>General:</b>               | Assembled by A&I Manufacturing, Inc. <b>Environmentally safe.</b>  |
| <b>Operation:</b>             | Tubular motor concealed inside roller tube.  |
| <b>Motor:</b>                 | Totally enclosed, insulated, thermal-overload protection, brake, permanently lubricated bearings and limit switches.   |
| <b>Idle End:</b>              | Made from glass fiber reinforced PA6.  |
| <b>Tube:</b>                  | 1 1/2", 1 3/4" hollow extruded aluminum(6063-T5) tube.   |
| <b>Square Fascia:</b>         | Square front, 4"x 2 3/4" extruded aluminum(6063-T5). Colors to match brackets and end caps.  |
| <b>Round Fascia:</b>          | Round front, 4"x 3 11/32" extruded aluminum(6063-T5). Colors to match brackets and end caps.   |
| <b>Idle End Insert Plate:</b> | 5" x 3" , cold rolled steel ASTM A1008. Wall or ceiling mount. Colors: White, Bronze, Alabaster, Anodized, Black.  |
| <b>Motor Insert Plate:</b>    | 5" x 3" , cold rolled steel ASTM A1008. Wall or ceiling mount. Colors: White, Bronze, Alabaster, Anodized, Black.  |
| <b>Brackets:</b>              | 5 7/8" x 4 1/8" , cold rolled steel ASTM A1008. Wall or ceiling mount. Colors: White, Bronze, Alabaster, Anodized, Black.  |
| <b>Internal Hembar:</b>       | 1/8"x1" extruded aluminum 6063-T5 flat stock.  |
| <b>External Hembar:</b>       | 1 3/6"x 9/16" rectangle, 1 1/2"x3/8" rectangle extruded aluminum 6063-T5. Colors: White, Bronze, Alabaster, Anodized, Black. Available at extra cost.                                  |
| <b>Fabric:</b>                | B/O, 1%, 3%, 5%, 8%, 10%, Translucent openness in various colors.  |
| <b>Control:</b>               | RTS wall Switch, hand held RTS remote, wired wall switch.  |
| <b>Sizes:</b>                 | Outside mounted roller shades will be made to exact ordered measurements. Inside mounted roller shades will have 1/8" deducted at the factory from finished width. See Product Limits. |

**Product Limits**

| Controls (Motor) | Min. Width | Max. Width | Min. Drop | Max. Drop |
|------------------|------------|------------|-----------|-----------|
| Motor Left       | 22"        | 156"       | 18"       | 240"      |
| Motor Right      | 22"        | 156"       | 18"       | 240"      |

**WARNING** **ADVERTENCIA**



Cords on window covering products present a potential strangulation hazard.



Las cuerdas y cadenas y persianas presentan un peligro de estrangulación.



For child safety, consider cordless alternatives or products with inaccessible cords.



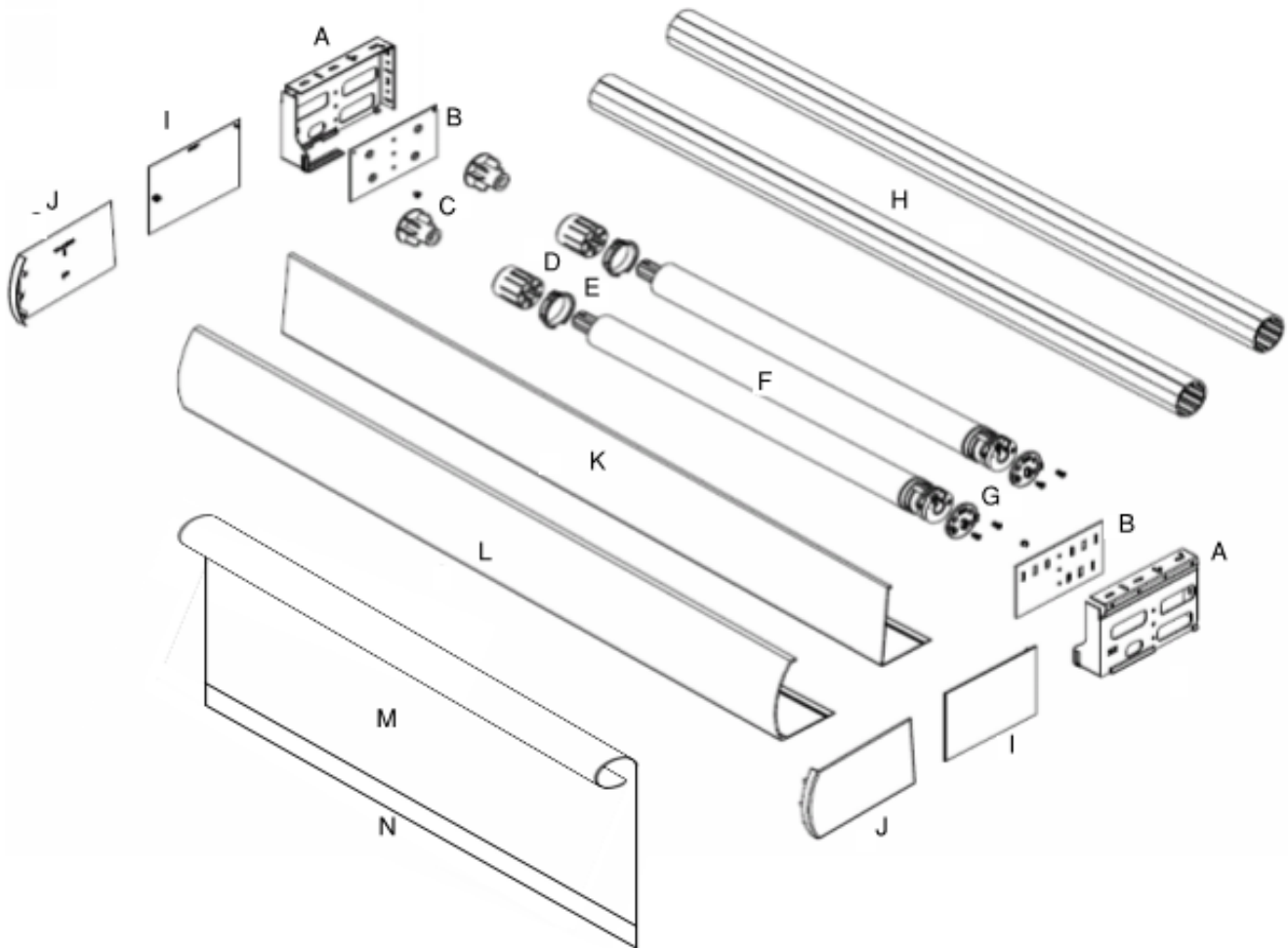
Para la seguridad de los niños, considere alternativas sin cuerdas o productos con cuerdas y cadenas inaccesibles.

SAFLAB-3 04/2013

ANSI/WCMA 5.1.4

SAFLAB-3 04/2013

ANSI/WCMA 5.1.4



- A: Dual Roller Shade Brackets
- B: Insert Plates
- C: Idle Ends
- D: Drives
- E: Crowns
- F: Motors
- G: Motor Adapter Plate
- H: Tubes
- I: Square Fascia Bracket End Caps
- J: Round Fascia Bracket End Caps
- K: Square Fascia
- L: Round Fascia
- M: Fabric
- N: Enclosed Hem Bar