



<b>General:</b>	Assembled by A&I Manufacturing, Inc. <b>Environmentally safe.</b>
<b>Operation:</b>	Tubular motor concealed inside roller tube.
<b>Motor:</b>	Totally enclosed, insulated, thermal-overload protection, brake, permanently lubricated bearings and limit switches.
<b>Idle End:</b>	Made from glass fiber reinforced PA6.
<b>Tube:</b>	1 1/2", 1 3/4", 2", 2 3/8" hollow extruded aluminum(6063-T5) tube.
<b>Square Fascia:</b>	Square front, 4"x 2 3/4" extruded aluminum(6063-T5). Colors: White, Bronze, Alabaster, Anodized, Black.
<b>Round Fascia:</b>	Round front, 4"x 3 11/32" extruded aluminum(6063-T5). Colors: White, Bronze, Alabaster, Anodized, Black.
<b>Brackets:</b>	4" x 4" x 3/4", cold rolled steel ASTM A1008. Wall or ceiling mount. Colors: White, Bronze, Alabaster, Anodized, Black
<b>Square Fascia End Cap:</b>	ABS Plastic. Colors: White, Bronze, Alabaster, Anodized, Black.
<b>Round Fascia End Cap:</b>	ABS Plastic. Colors: White, Bronze, Alabaster, Anodized, Black.
<b>Internal Hembar:</b>	1/8"x1" extruded aluminum 6063-T5 flat stock.
<b>External Hembar:</b>	1 3/6"x 9/16" rectangle, 1 1/2"x3/8" rectangle extruded aluminum 6063-T5. Colors: White, Bronze, Alabaster, Anodized, Black. Available at extra cost.
<b>Fabric:</b>	B/O, 1%, 3%, 5%, 8%, 10%, Translucent openness in various colors.
<b>Control:</b>	RTS wall Switch, hand held RTS remote, wired wall switch.
<b>Sizes:</b>	Outside mounted roller shades will be made to exact ordered measurements. Inside mounted roller shades will have 1/8" deducted at the factory from finished width. See Product Limits.

### Product Limits

Controls (Motor)	Min. Width	Max. Width	Min. Drop	Max. Drop
Motor Left	20"	156"	18"	240"
Motor Right	20"	156"	18"	240"

**WARNING**      **ADVERTENCIA**



Cords on window covering products present a potential strangulation hazard.



Las cuerdas y cadenas y persianas presentan un peligro de estrangulación.



For child safety, consider cordless alternatives or products with inaccessible cords.



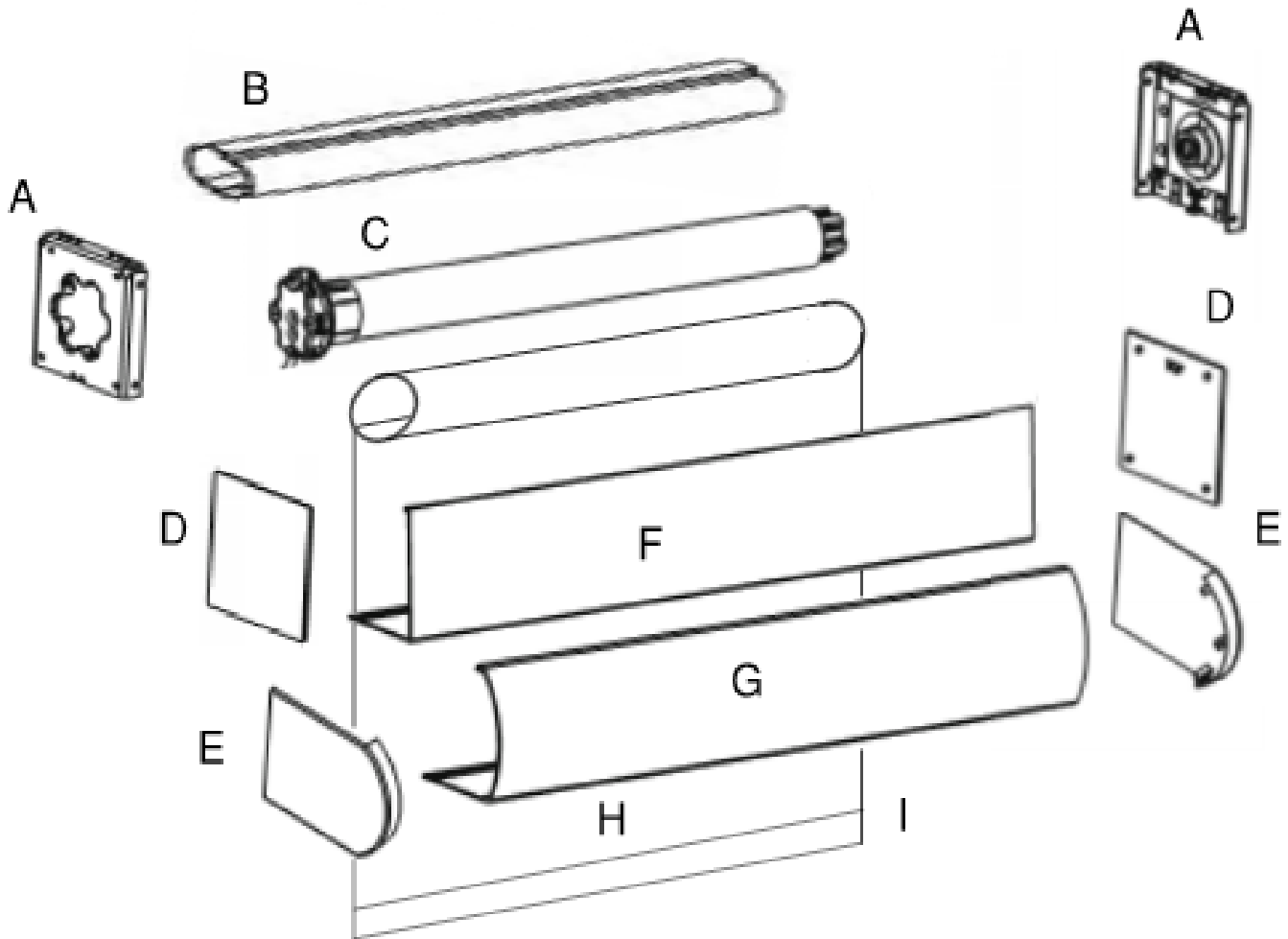
Para la seguridad de los niños, considere alternativas sin cuerdas o productos con cuerdas y cadenas inaccesibles.

SAFLAB-3 04/2013

ANSI/WCMA 5.1.4

SAFLAB-3 04/2013

ANSI/WCMA 5.1.4



- A: Fascia Bracket
- B: Tube
- C: Motor
- D: Square Fascia End Cap
- E: Round Fascia End Cap
- F: Square Fascia
- G: Round Fascia
- H: Fabric
- I: Internal Hem Bar