



General:	Assembled by A&I Manufacturing, Inc. Environmentally safe.
Operation:	Bead chain through manual clutch mechanism.
Clutch:	Bead chain driven assisted by a stainless steel spring and spring shim. Clutch housing made from Acetal POM Copolymer.
Chain:	Plastic, nickel plated steel, stainless steel.
Idle End:	Made from glass fiber reinforced PA6.
Tube:	1 1/2", 1 3/4", 2 3/8" diameter hollow extruded aluminum(6063-T5) tube.
Clutch Insert Plate:	4 1/16" x 7", cold rolled steel ASTM A1008, Zinc plated.
Idle End Insert Plate:	4 1/16" x 7", cold rolled steel ASTM A1008, Zinc plated.
Square Fascia:	7 1/4"x 2 13/16" extruded aluminum, 6063-T5. Colors White, Bronze, Alabaster, Anodized, Black
Brackets:	5 5/8" x 7 7/16", cold rolled steel ASTM A1008, Zinc plated. Wall or ceiling mount.
Fascia End Cap:	ABS, square, colors to match fascia. Colors White, Bronze, Alabaster, Anodized, Black.
Internal Hembar:	1/8"x1" extruded aluminum 6063-T5 flat stock.
External Hembar:	1 3/6"x9/16" rectangle, 1 1/2"x3/8" rectangle extruded aluminum 6063-T5. Colors: White, Bronze, Alabaster, Anodized, Black. Available at additional cost.
Fabric:	B/O, 1%, 3%, 5%, 8%, 10%, Translucent openness in various colors.
P-Clip Safety Tensioner:	Clear Poly-Carbonite. Shall comply with all safety requirements.
Sizes:	Outside mounted roller shades will be made to exact ordered measurements. Inside mounted roller shades will have 1/8" deducted at the factory from finished width. See Product Limits.

Product Limits

Controls (Manual)	Min. Width	Max. Width	Min. Drop	Max. Drop
Clutch Left or Right	18"	156"	18"	240"
Clutch Left or Right with Spring Assist	36"	156"	18"	240"

WARNING **ADVERTENCIA**



Cords on window covering products present a potential strangulation hazard.



Las cuerdas y cadenas y persianas presentan un peligro de estrangulación.



For child safety, consider cordless alternatives or products with inaccessible cords.



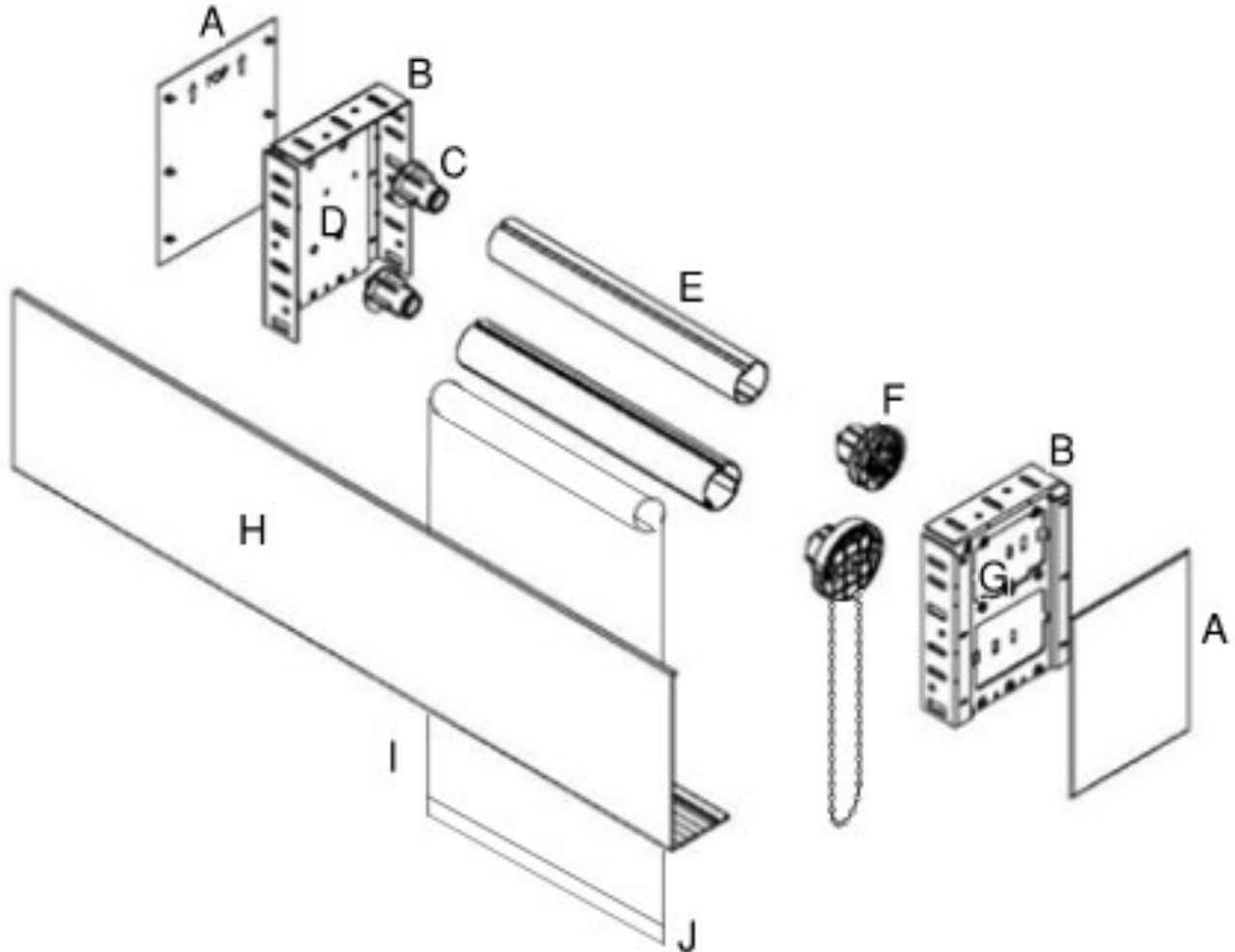
Para la seguridad de los niños, considere alternativas sin cuerdas o productos con cuerdas y cadenas inaccesibles.

SAFLAB-3 04/2013

ANSI/WCMA 5.1.4

SAFLAB-3 04/2013

ANSI/WCMA 5.1.4



- A: Bracket Cover
- B: Bracket
- C: Idle End
- D: Idle End Insert Plate
- E: Tube
- F: Clutch
- G: Clutch Insert Plate
- H: Fascia
- I: Fabric
- J: Enclosed Hem Bar